

## STEARNS OVER-THE-BELT PERMANENT SUSPENDED MAGNETS WITH POWER

Powerful Stearns permanent magnets give you all the tramp iron removal ability without the use of DC power. Our new, exclusive magnetic circuit design maximizes magnetic penetration, provides positive and economic, tramp iron removal. This product assists you by:

- Eliminating DC power costs
- Eliminating coils, oil tanks and wiring
- Guarantees to remain energized at 99% efficiency for the next 100 years
- Offers fast, easy installation at sharply reduced costs



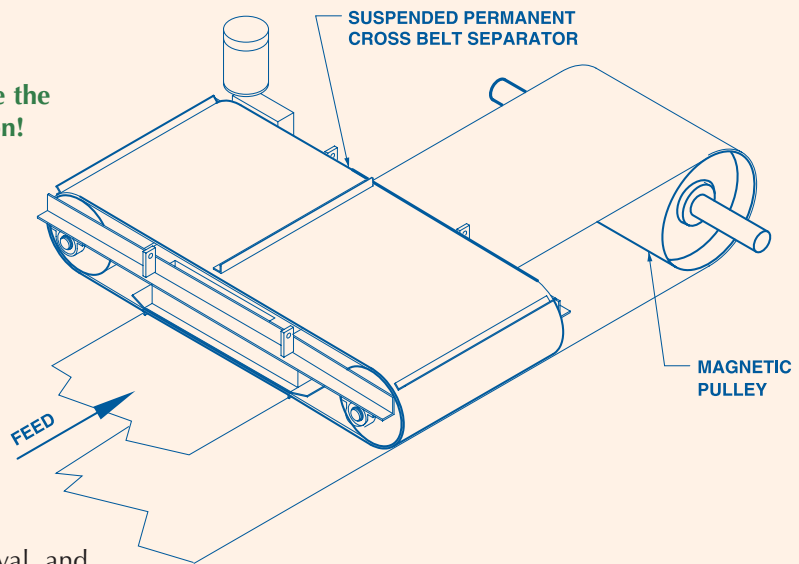
*The Stearns magnet design produces a magnetic field that is not only deep enough for full penetration at the center of the conveyor, but also extends outward for complete tramp iron removal at the edges of the burden. Units are complete with a manually operated discharge arm for tramp iron removal. Also available in self-cleaning models.*

### Stearns Combination Units Provide the Ultimate in Removal and Protection!

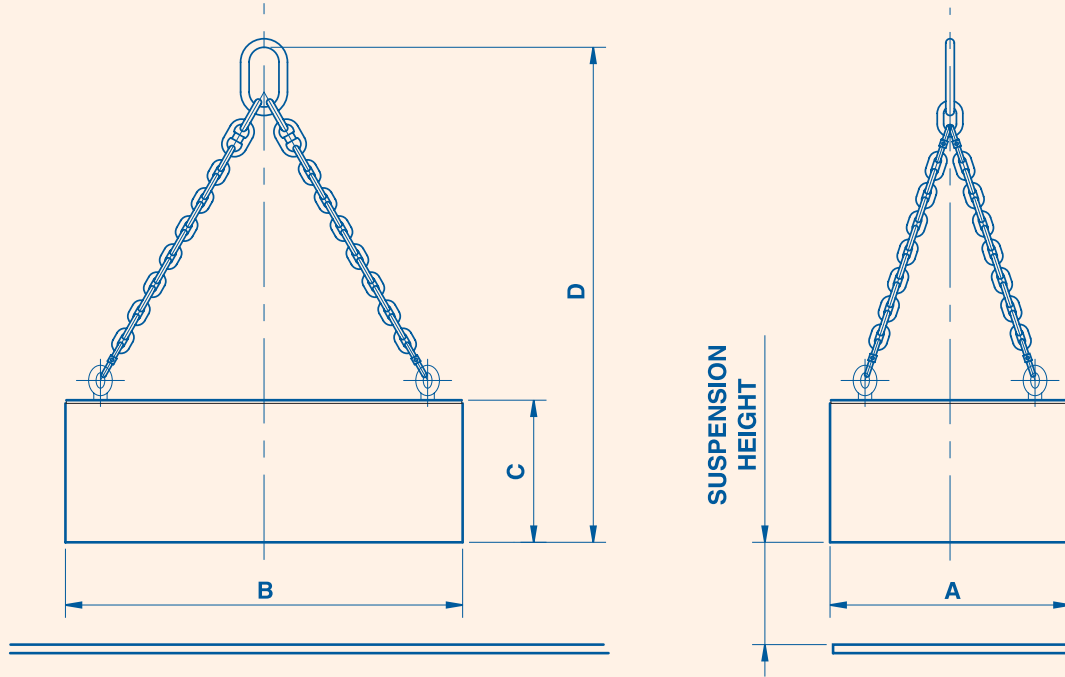
For an extra measure of protection from tramp iron, or for increased product cleaning, combination magnetic units are frequently installed. This is especially the case in foundry sand cleaning systems.

A typical double pass system (see illustration) would incorporate a cross-belt separator, which would provide the initial tramp iron removal, and a magnetic pulley at the head of the conveyor to remove any fine splatter and shot.

Another type of dual protection system utilizes a parallel-mounted magnet or cross-belt separator and a Stearns high sensitivity Metal Detector. This is used primarily in mining operations where some of the "tramp" is non-magnetic, but is just as damaging. The magnet will remove the iron and steel objects, and farther up the conveyor line the Stearns Metal Detector will unerringly detect the presence of non-ferrous metals such as manganese steel, stainless steel and brass.



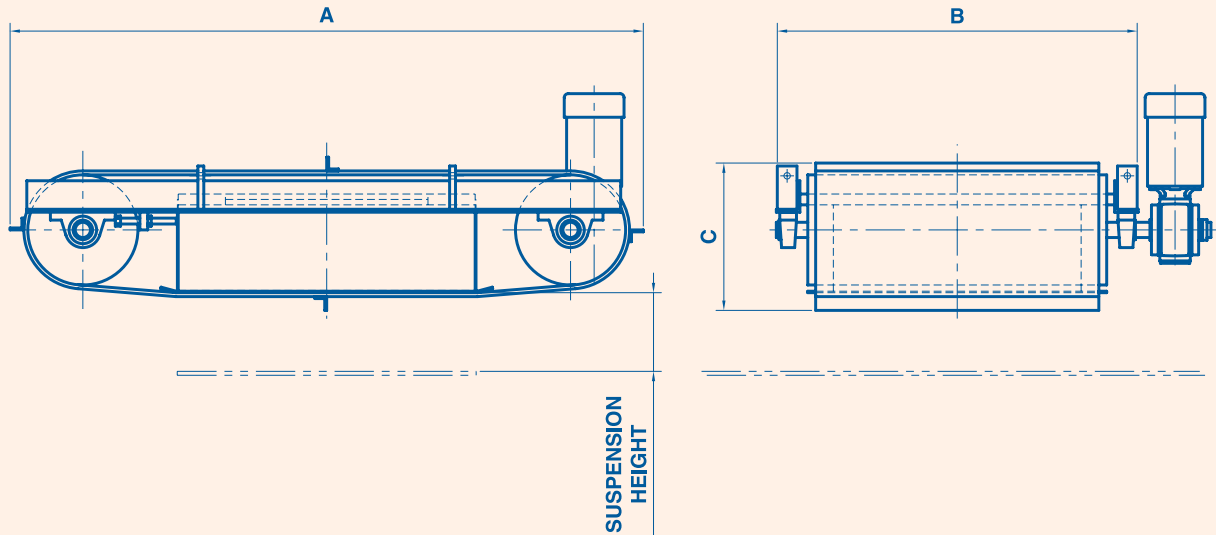
PERMANENT SUSPENDED MAGNET



TECHNICAL SPECIFICATIONS

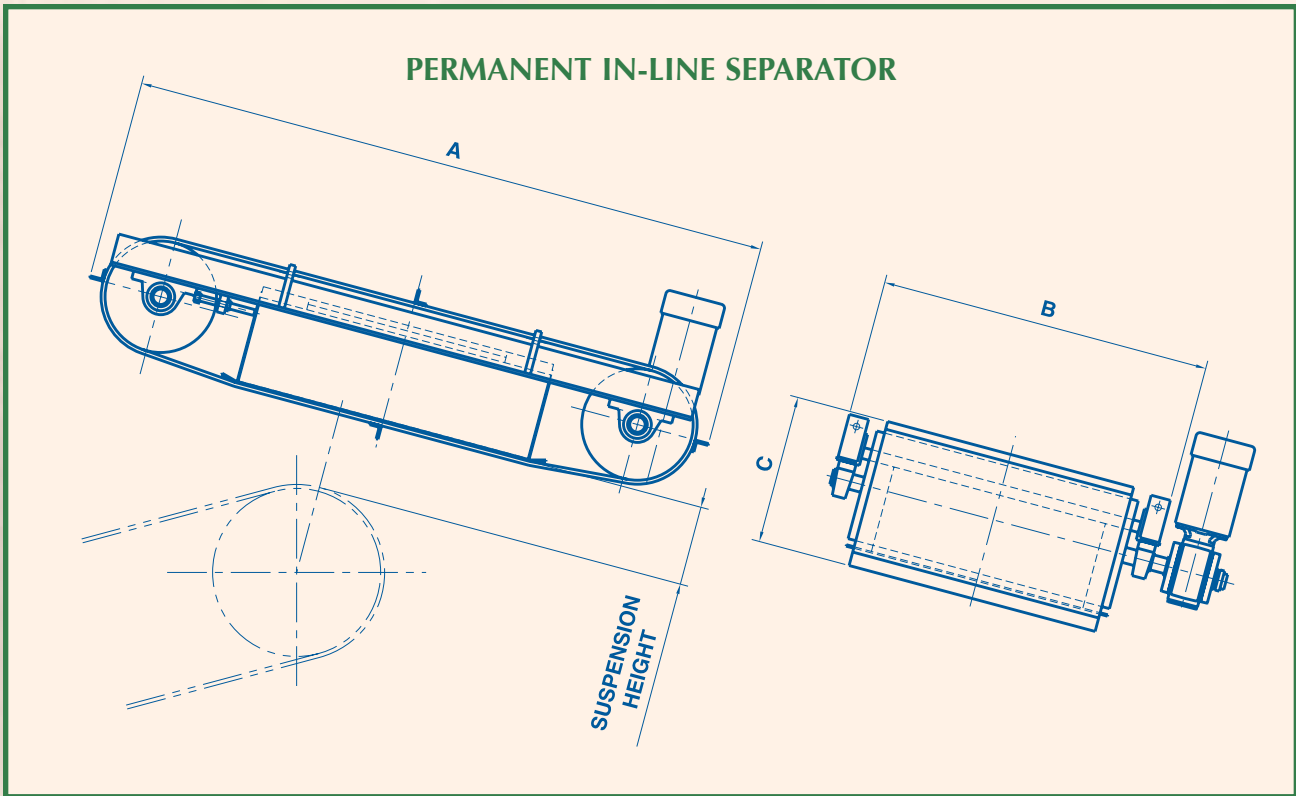
MODEL	DIMENSIONS (INCHES)				APPROX. WT. (lbs.)
	A	B	C	D	
18-720P	18-3/4	25-3/8	9-1/2	38	900
24-720P	24-3/4	25-3/8	9-1/2	38	1,250
30-720P	30-3/4	25-3/8	9-1/2	38	1,600
36-720P	36-3/4	25-3/8	9-1/2	38	2,000
18-900P	18-3/4	31-1/2	11-3/4	45	1,300
24-900P	24-3/4	31-1/2	11-3/4	45	1,700
30-900P	30-3/4	31-1/2	11-3/4	45	2,200
36-900P	36-3/4	31-1/2	11-3/4	45	2,700
18-1170P	18-3/4	39-7/8	14	54	2,100
24-1170P	24-3/4	39-7/8	14	54	2,800
30-1170P	30-3/4	39-7/8	14	54	3,500
36-1170P	36-3/4	39-7/8	14	54	4,500
42-1170P	42-3/4	39-7/8	14	54	5,400
48-1170P	48-3/4	39-7/8	14	54	6,600
18-1350P	18-3/4	46-7/8	16-1/2	61	2,700
24-1350P	24-3/4	46-7/8	16-1/2	61	3,200
30-1350P	30-3/4	46-7/8	16-1/2	61	4,000
36-1350P	36-3/4	46-7/8	16-1/2	61	5,100
42-1350P	42-3/4	46-7/8	16-1/2	61	6,200
48-1350P	48-3/4	46-7/8	16-1/2	61	7,000

## PERMANENT CROSS-BELT SEPARATOR



### TECHNICAL SPECIFICATIONS

MODEL	DIMENSIONS (INCHES)			BELT WIDTH (in.)	DRIVE, HP	APPROX. WT. (lbs.)
	A	B	C			
18-720P	56	42	15	32	1-1/2	1,700
24-720P	62	42	15	32	1-1/2	1,800
30-720P	68	42	15	32	1-1/2	2,000
36-720P	74	42	15	32	1-1/2	2,300
18-900P	60	46	19	36	1-1/2	2,000
24-900P	66	46	19	36	1-1/2	2,400
30-900P	72	46	19	36	1-1/2	2,900
36-900P	78	46	19	36	1-1/2	3,400
18-1170P	68	57	20	47	3	3,300
24-1170P	74	57	20	47	3	4,200
30-1170P	80	57	20	47	3	5,100
36-1170P	86	57	20	47	3	6,000
42-1170P	92	57	20	47	3	7,000
48-1170P	98	57	20	47	3	7,900
18-1350P	71	65	22	50	5	4,200
24-1350P	77	65	22	50	5	5,300
30-1350P	83	65	22	50	5	6,400
36-1350P	89	65	22	50	5	7,500
42-1350P	95	65	22	50	5	8,100
48-1350P	101	65	22	50	5	8,600



<b>TECHNICAL SPECIFICATIONS</b>						
MODEL	DIMENSIONS (INCHES)			BELT WIDTH (in.)	DRIVE, HP	APPROX. WT. (lbs.)
	A	B	C			
18-720P	63	35	15	24	1	1,700
24-720P	63	41	15	30	1-1/2	1,800
30-720P	63	47	15	36	1-1/2	2,000
36-720P	63	53	15	42	1-1/2	2,200
18-900P	72-1/2	33-1/2	19	24	1	2,100
24-900P	72-1/2	39-1/2	19	30	1	2,500
30-900P	72-1/2	45-1/2	19	36	1-1/2	2,900
36-900P	72-1/2	51-1/2	19	42	1-1/2	3,500
18-1170P	89	36	20	24	2	3,200
24-1170P	89	42	20	30	2	4,100
30-1170P	89	48	20	36	2	5,000
36-1170P	89	54	20	42	2	5,700
42-1170P	89	60	20	48	2	6,600
48-1170P	89	66	20	54	2	7,500
18-1350P	99	37	22	24	3	4,000
24-1350P	99	43	22	30	3	5,000
30-1350P	99	49	22	36	3	6,000
36-1350P	99	55	22	42	3	7,100
42-1350P	99	61	22	48	3	8,000
48-1350P	99	67	22	54	3	9,000