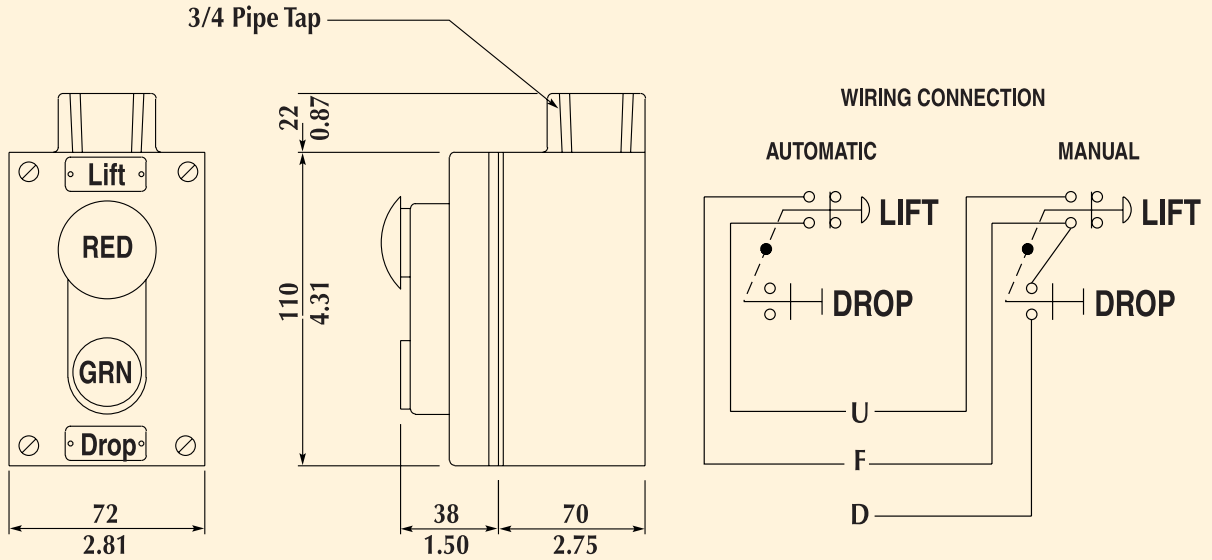


Operator Control Switches

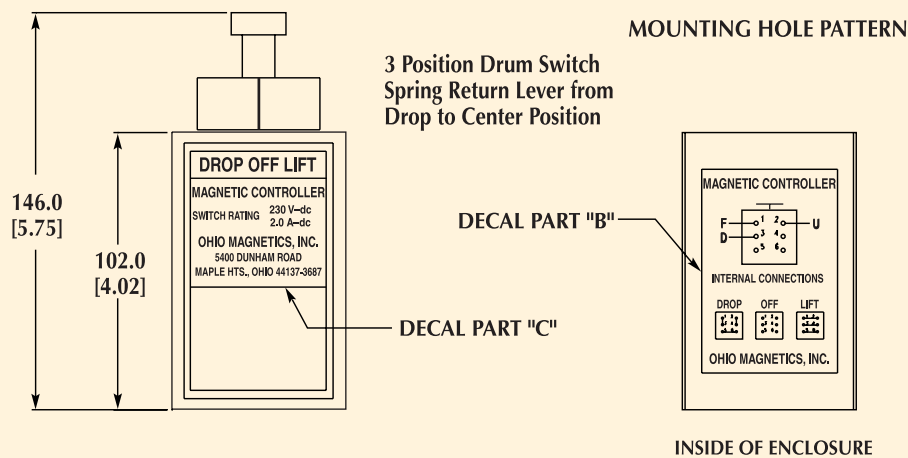
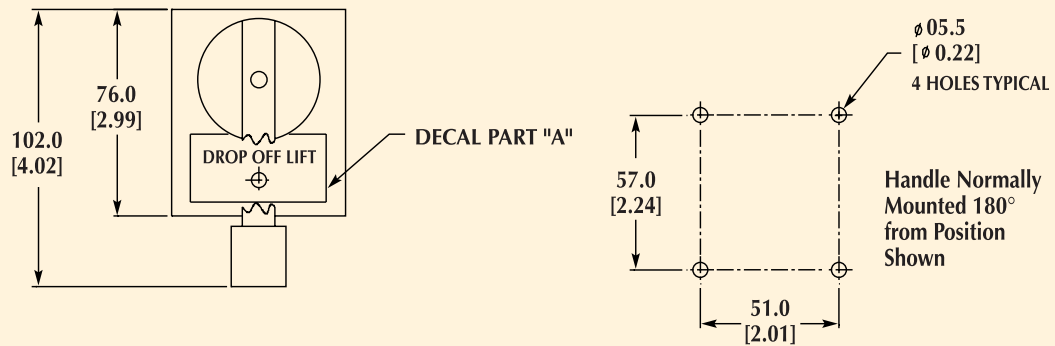
PUSH BUTTON TYPE – Part No. 091M2266A

DIM: mm / [inch]



STANDARD LEVER TYPE – Part No. 1300C0150000

DIM: mm / [inch]



250VDC Magnet Safety Disconnect Switch

Standard Features:

- Manually operated
- Automatic discharge of magnet power
- Mechanical interlock (door must be closed to operate)
- NEMA 3R/12 (IP-55) combination enclosure
- Provides operator safety



Magnet circuits, which are highly inductive, occasionally require disconnection while the magnet is energized. Standard knife or safety switches are not capable of breaking this highly inductive magnet energy.

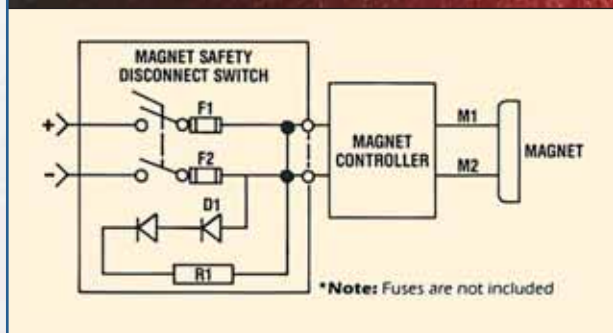
Ohio Magnetics' magnet disconnect switch interrupts the magnet circuit by using a quick break switch with a permanently connected power diode and power resistor* across negative and positive of the switch output. The power diode directs the discharge current from the negative to positive while blocking the normal currents from positive to negative. The power resistor* dissipates the stored energy of the inductive magnet circuit. The switch is polarity sensitive. Input and output power leads must be connected as indicated by markings.

* 30 A and 60 A switches do not require power resistor.

TECHNICAL SPECIFICATIONS

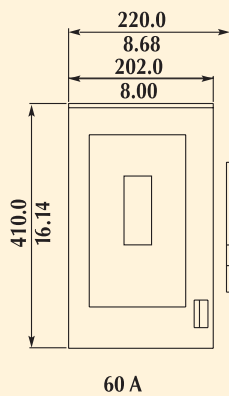
Voltages	Amp Rating Max.	Part No.
250 VDC	30	018C8500A
250 VDC	60	018C8600A
250 VDC	100	018C8700A
250VDC	200	018C8800A

ELEMENTARY DIAGRAM*



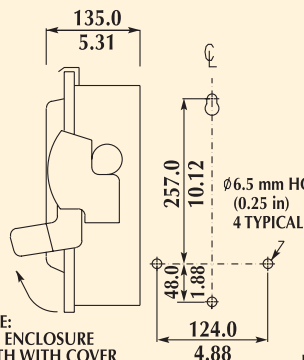
DIMENSION INFORMATION

DIM: mm / [inch]



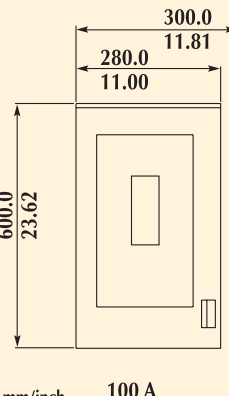
60 A

NOTE:
MAX ENCLOSURE
DEPTH WITH COVER
OPEN FULLY IS:
310mm/12.9 in.



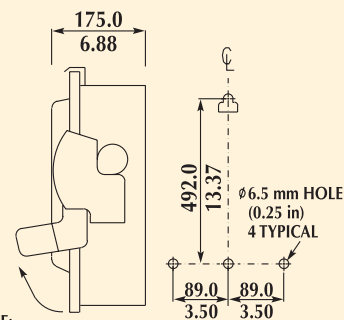
MOUNTING PATTERN

DIM: mm/inch



100 A

NOTE:
MAX ENCLOSURE
DEPTH WITH COVER
OPEN FULLY IS:
385mm/15.19 in.



MOUNTING PATTERN