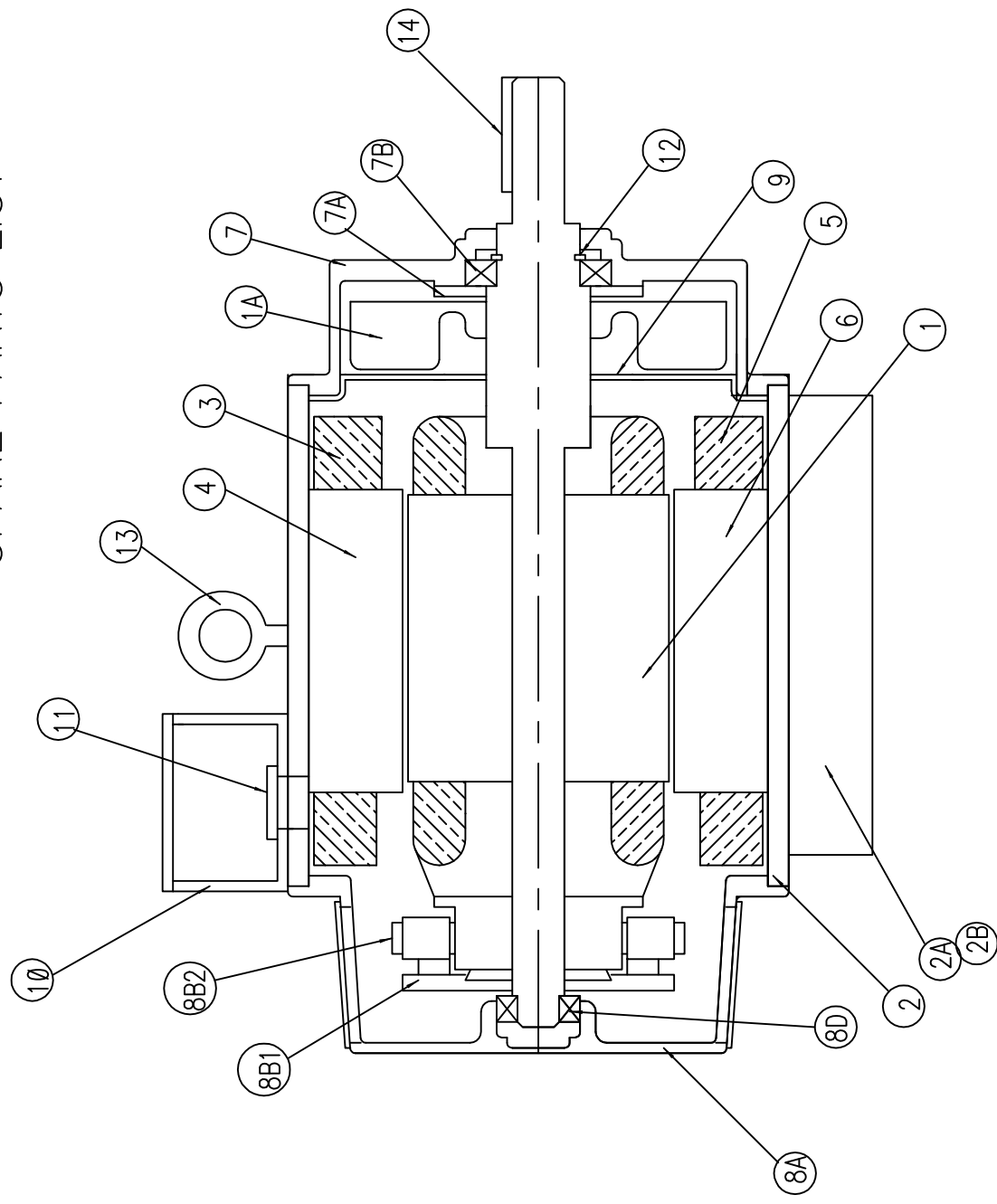


SPARE PARTS LIST



| ITEM | QTY | PART NO. | DESCRIPTION |
|------|-----|--------------|---------------------------------|
| 1 | 1 | 655012 | CMPL ARMATURE ASSEMBLY |
| 1A | 1 | B-230504-01 | FAN - DRILLED |
| 2 | 1 | C-460100-03A | STATOR RING & BASE ASSEMBLY |
| 2A | 2 | A-690100A | BASE SECTION |
| 2B | 2 | A-100239-02 | BASE SUPPORT |
| 3 | 2 | B-441200-04 | COMM COILS |
| 4 | 2 | B-452000-04 | COMM POLES |
| 5 | 4 | B-441000-04 | MAIN COILS |
| 6 | 4 | B-451000-04 | MAIN POLES |
| 7 | 1 | C-210520 | PULLEY COVER - DRILLED FOR OPT |
| 7A | 1 | C-210520-01 | PULLEY COVER - DRILLED FOR OPTH |
| 7B | 1 | N/A | BEARING CAP - DRILLED |
| 7C | 1 | A-900205-28 | BEARING - PULLEY END |
| 7D | 2 | A-100243-01 | PULLEY COVER SCREEN |
| 8A | 1 | C-220512 | COMM COVER - DRILLED |
| 8B1 | 1 | 910B137A2 | BRUSH RING ASSEMBLY |
| 8B2 | 4 | 900B57B02 | BRUSHES |
| 8B3 | 4 | 910A137A8 | BRUSH SPRINGS |
| 8C | 1 | A-100242-01 | COMM COVER SCREEN |
| 8D | 1 | A-900205-26 | BEARING - COMM END |
| 8E | 2 | 910A121A3 | BRUSH INSPECTION COVER GASKET |
| 8F | 2 | A-100228 | BRUSH INSPECTION COVER |
| 9 | 2 | 311C025A1 | FAN BAFFLE |
| 10 | 1 | B-100256 | TERMINAL BOX |
| 11 | 1 | A-900200-03 | CHASE NIPPLE |
| 12 | 1 | A-900220-02 | BEARING RETAINING RING |
| 13 | 1 | A-900180-01 | EYEBOLT |
| 14 | 1 | A-100022-08 | KEY |

REV. 10-3-00

OPT-15-18-WI306 & OPTH-15-18-WI306